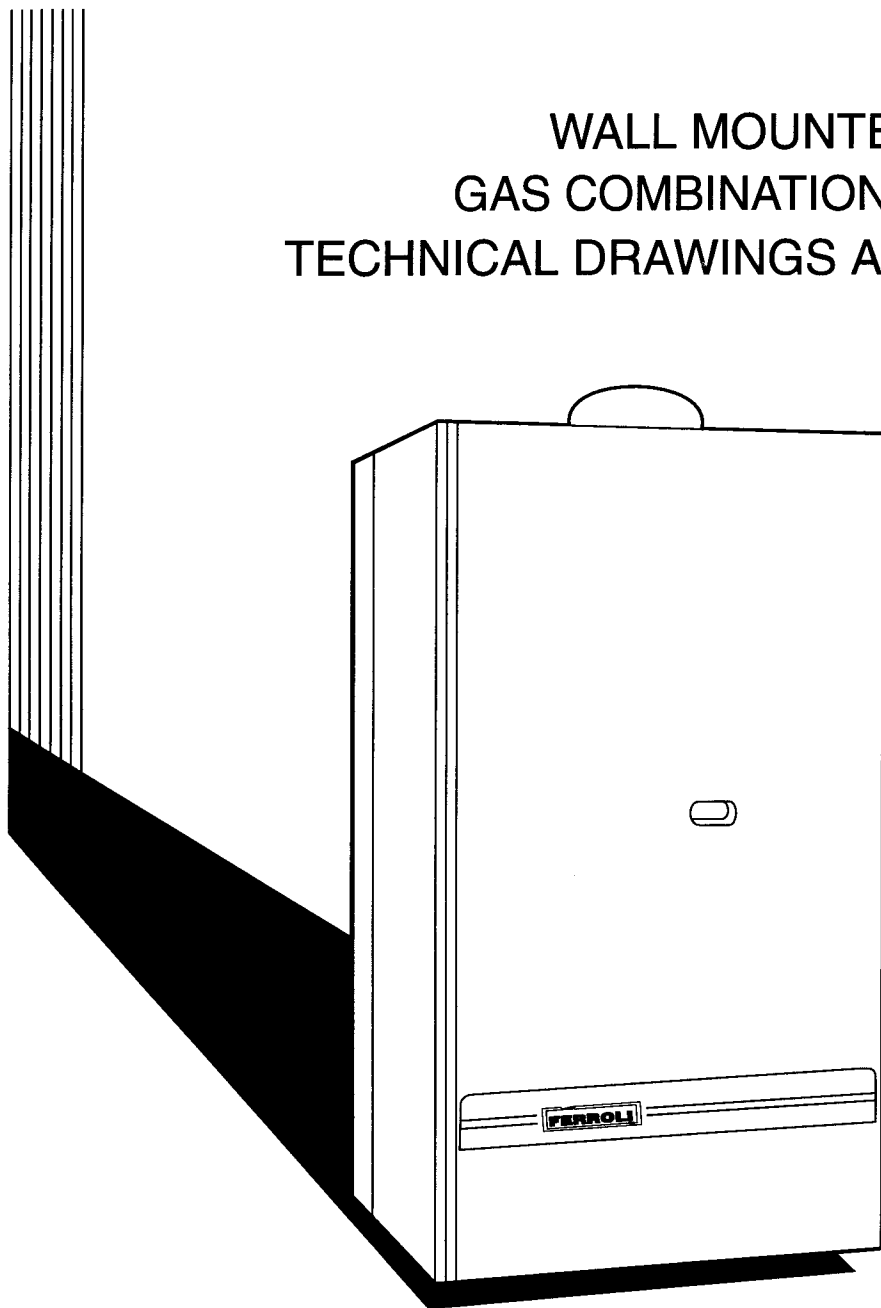




FERROLI COMBI 77 CF

WALL MOUNTED, GAS COMBINATION BOILER TECHNICAL DRAWINGS AND PARTS LIST

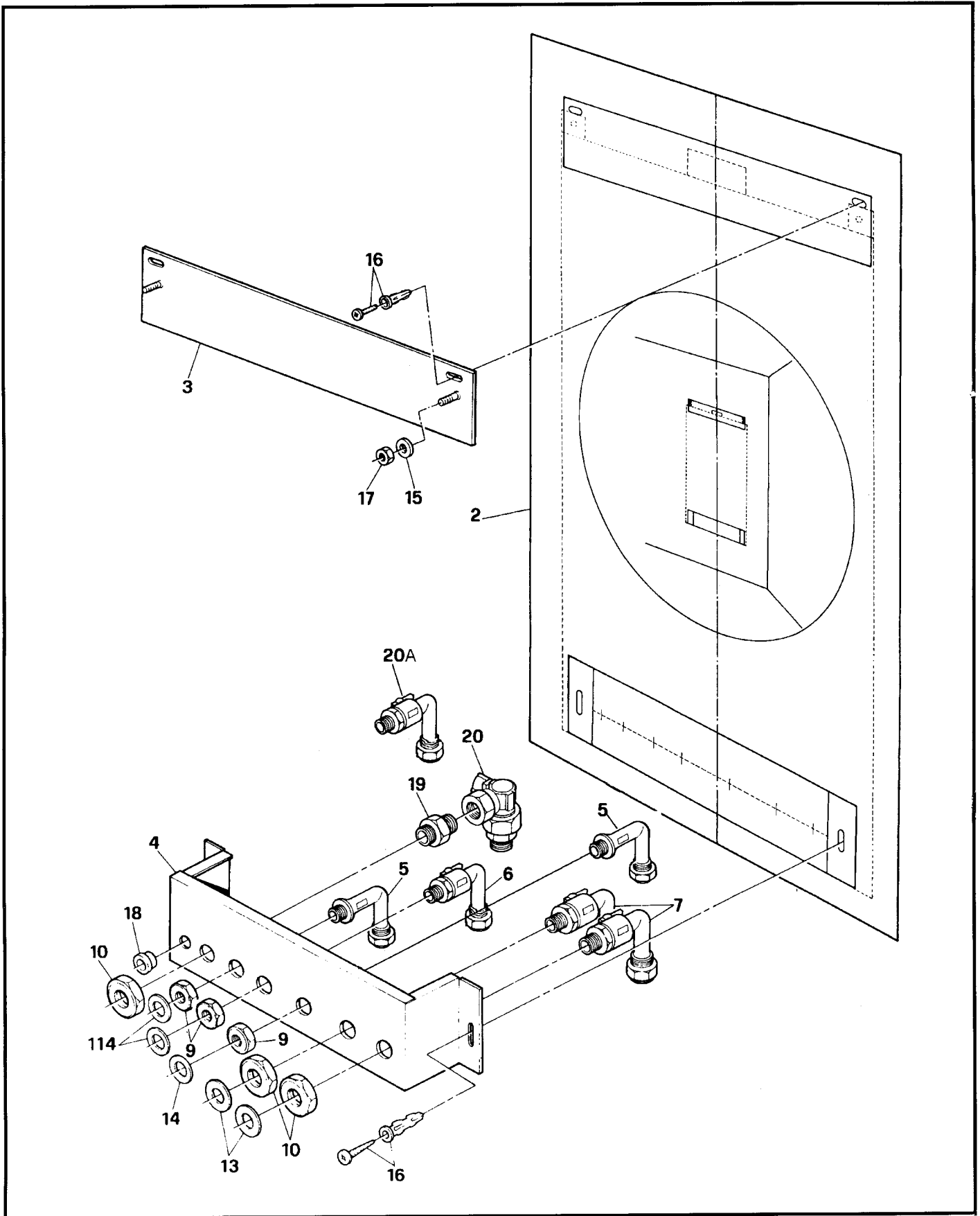


This appliance has been Tested
and Certified by British Gas plc
G.C. Appliance No 47-267-02
WRC. No. 8902029



ALL SPECIFICATIONS SUBJECT TO CHANGE

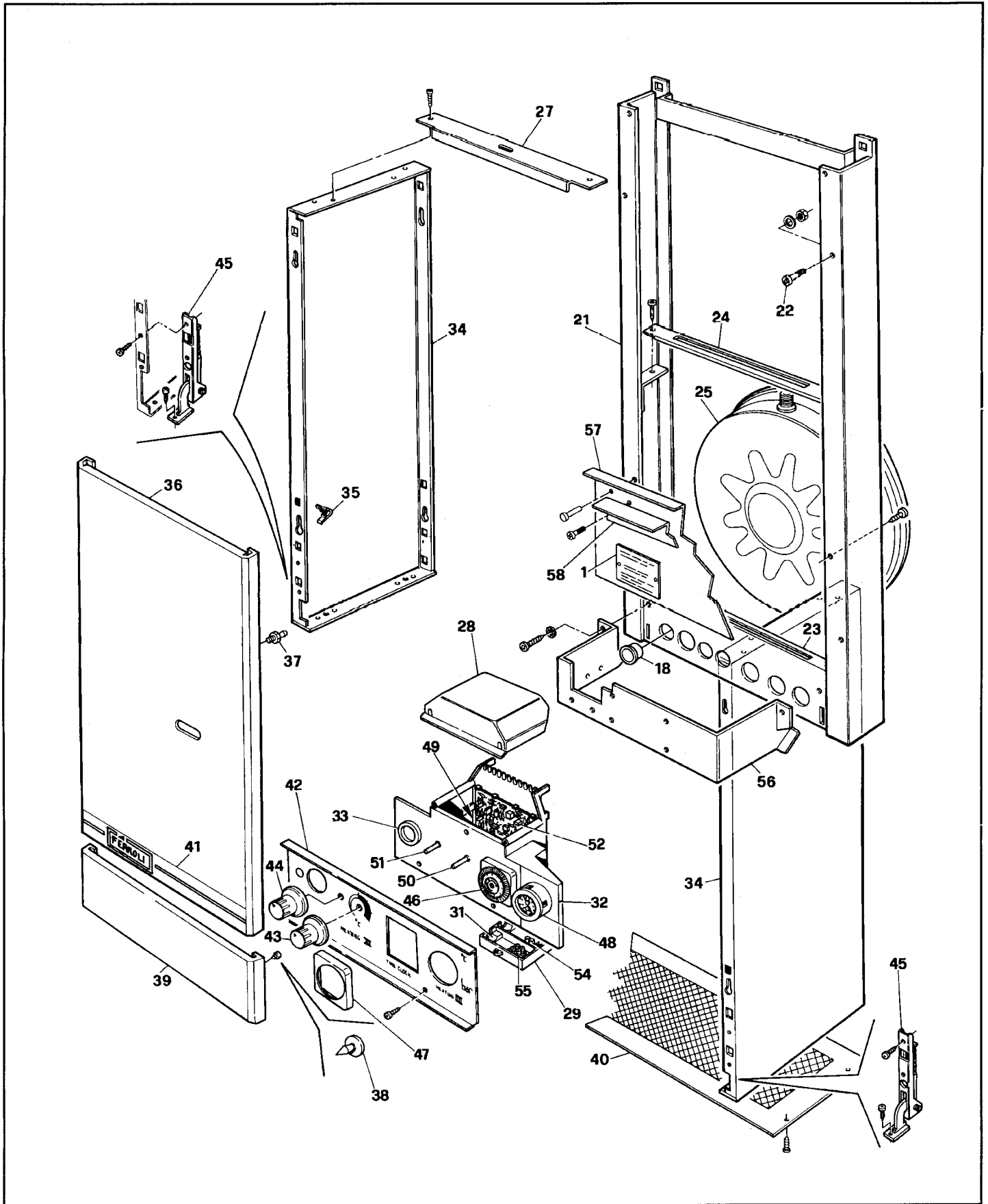
JIG BRACKET AND COCKS



JIG BRACKET AND COCKS

Key	G.C. No.	Description	
2	372 331	Template	818 441
3	372 332	Support plate (top jig bracket)	813 650
4	372 333	Pipe fitting support (bottom jig bracket)	816 330
5	372 296	Elbow - ½" (on bottom jig bracket)	811 310
6	372 297	Cock - Comisa FE - 15mm	811 290
7	372 298	Cock - Comisa - 22mm	811 300R 811 305B
9	372 192	Nut - ½" (on bottom jig bracket)	817 880
10	372 193	Nut - ¾" (on bottom jig bracket)	817 430
13	372 196	Gasket - 24mm diameter	810 710
14	372 149	Connection gasket - ½"	810 850
15	372 197	Plain washer - 24mm diameter	814 720
16	372 198	Wall screw kit	816 980
17	372 199	Nut - M8 (for fixing boiler to top jig)	812 000
18	408 780	Short insulation bushing - black nylon - Heyco 2850 - UL/CSA description B-875-750 - inside diameter 19mm - mounting hole diameter 22.2mm	814 860
19	372 328	Reducing nipple - ¾" to ½"	810 020
20	397 814	Gas cock - Siral 1256 - ½"	812 230
114	372 325	Gasket - 18.5mm diameter	810 850
		The following components:	
19	372 328	Reducing nipple 810 020 and	
20	397 814	Gas cock Siral ½" 812 230 were later replaced with one component:	
20A	372 373	Gas cock Comisa 22mm	811 295

CASING ASSEMBLY AND CONTROL BOX

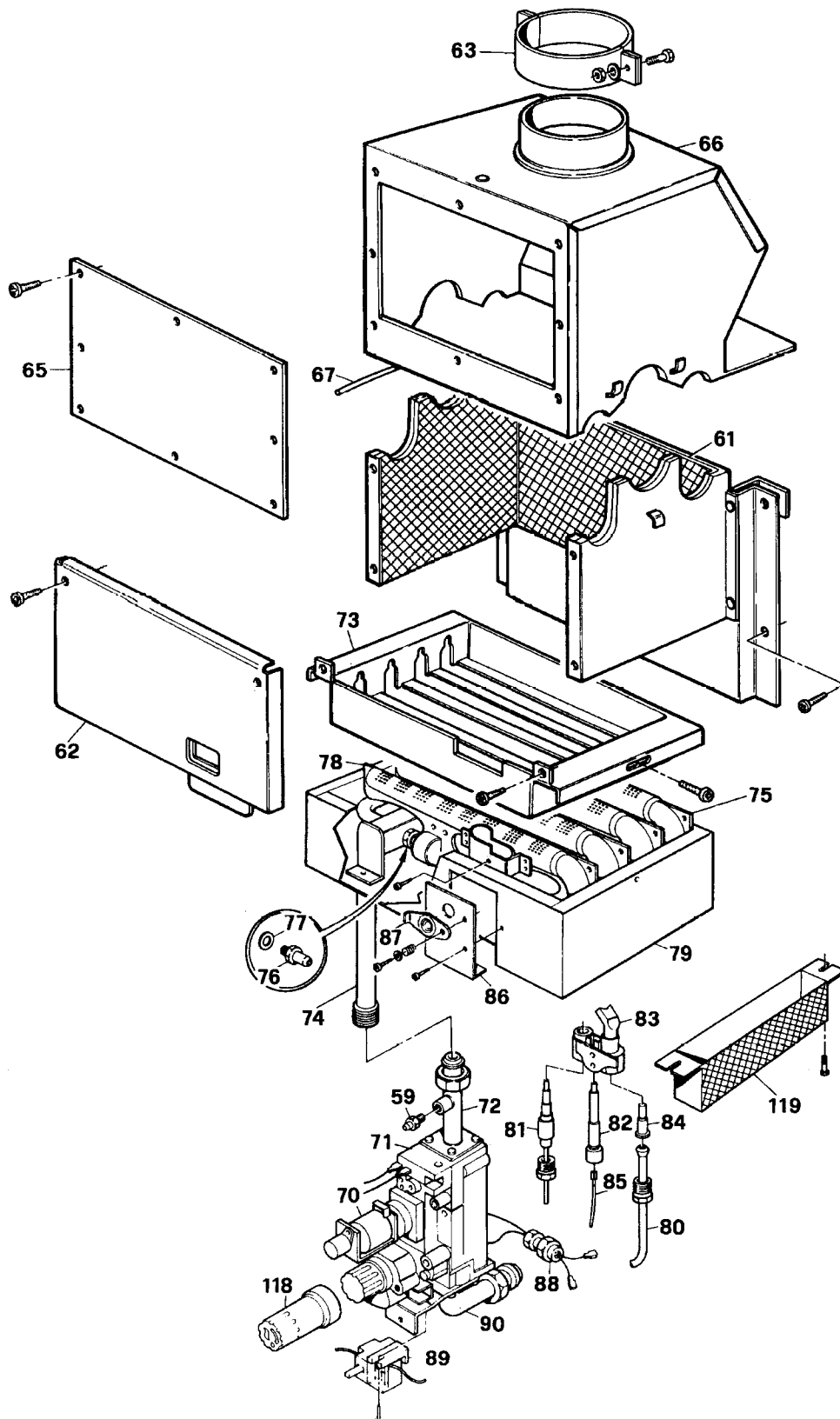


CASING ASSEMBLY AND CONTROL BOX

Key G.C. No. Description

1	372 330	Data Badge		812 430
18	408 780	Short insulation bushing - black nylon		814 860
21	372 335	Boiler frame		813 480
22	372 336	Support pin		811 880
23	372 337	Expansion vessel bracket		816 150
24	372 339	Expansion vessel bracket		816 960
25	386 821	Expansion vessel - Zilmet type 387 - 7 litres		811 770
27	372 338	Junction plate		816 210
28	372 207	Electric box cover	*	818 930
29	372 302	Connector blocks plate		817 530
30	372 303	Wire clamping - Ova art. 302		810 200
31	372 329	Wire clamping - Carpaneto 3079		814 850
32	372 341	Electric box	*	815 020
33	372 211	Bush		811 830
34	372 342	Jacket side - right and left side		800 680
35	372 169	Fastening spring		810 210
36	372 343	Front panel - upper		800 810
37	372 168	Front panel pin		810 640
38	372 214	Flap door pin		818 620
39	372 344	Flap door - bottom		800 830
40	372 345	Lint arrester		812 690
41	372 346	Boiler front logo		811 950
42	372 347	Instrument panel		813 140
43	372 219	Thermostat knob - central heating		811 940
44	372 220	Selector knob - central heating		811 800
45	372 221	Hinge		810 440
46	397 811	Timer clock - Deihl 18822-009/03702	(24) (7)	812 800
47	372 222	Box for time clock		814 520
48	386 580	Thermohidrometer - Gruter 943		800 300
49	372 309	Transformer - cast 697252/78 ignition		801 150
50	372 224	Thermostat - Piher T21 x A 10KA		801 260
51	372 225	Selector switch - Gottak 46 RCTK		801 230
52	372 306	Main printed circuit board - Ferroli VMF 6		802 540
53	372 227	Connector block - Elettrogibi - 160 BU		814 470
54	372 228	Connector block - Elettrogibi - 160 ST		814 460
55	372 160	Connector block - Korner OK.432/3		813 870
56	372 307	Electric box support		817 500
57	372 349	Rear panel		818 080
58	372 350	Combustion chamber support		814 040
*		On later models this component is replaced with:		
28	372 301	Cover electric box		818 840
32	372 304	Electric box		812 820

GAS TRAIN AND COMBUSTION CHAMBER

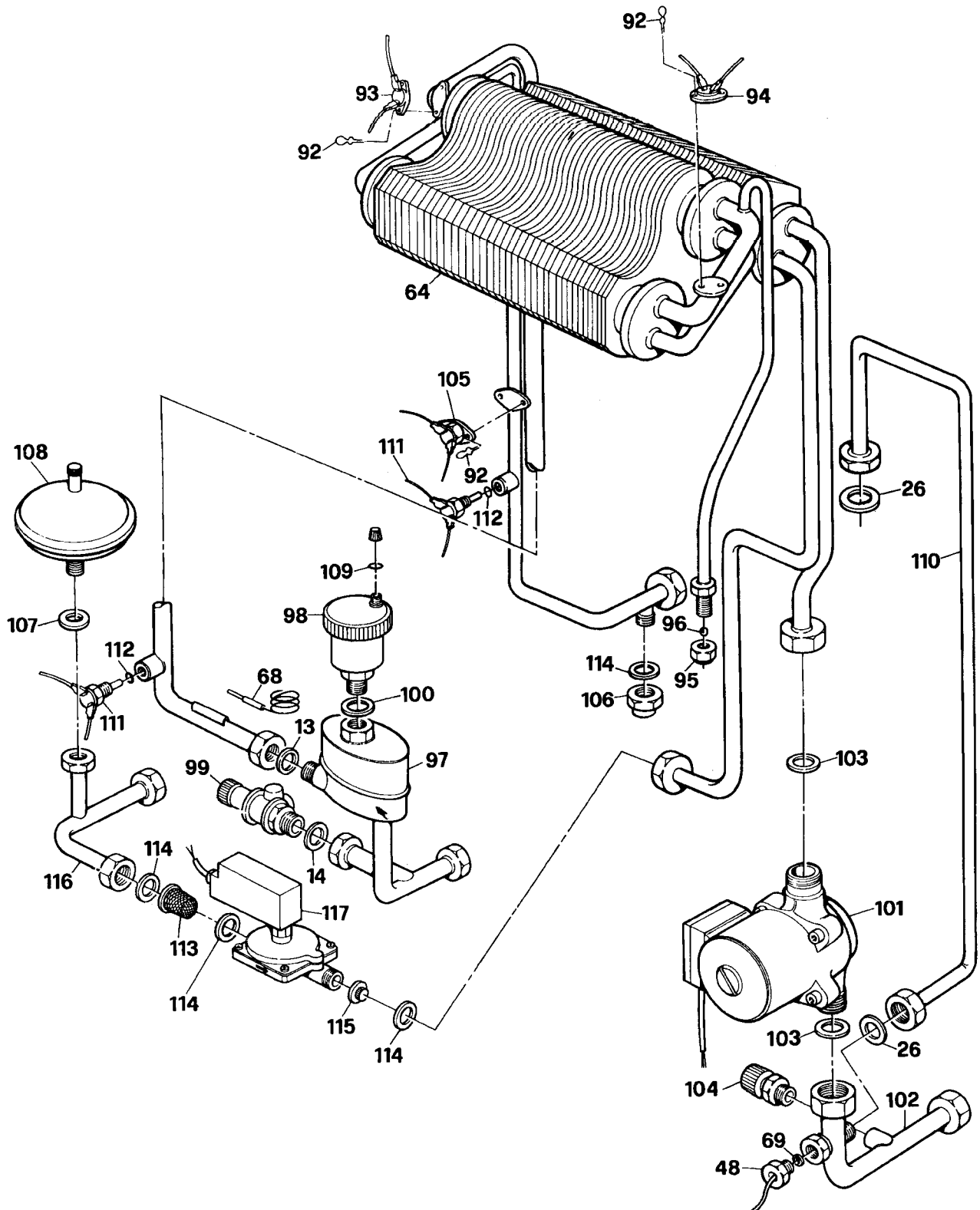


GAS TRAIN AND COMBUSTION CHAMBER

Key G.C. No. Description

59	372 232	Test points on boiler	810 280
61	372 351	Combustion chamber complete - upper	810 890
61A	372 124	Insulation - side	815 280
61B	372 125	Insulation - back	814 030
62	372 134	Combustion chamber cover	810 910
62A	372 135	Insulation - combustion chamber cover	815 300
63	372 352	Collar - flue pipe to draught diverter	814 050
65	372 354	Draught diverter cover	812 680
66	372 355	Draught diverter	800 650
67	372 170	Smoke chamber fastening spring	813 030
70	386 544	Gas valve ½" - Honeywell V8600N 2031	800 540
71	372 174	Gas valve gasket	810 340
72	372 356	Pipe - gas valve to burner	815 060
73	372 258	Burner frame	818 050
74	372 314	Gas manifold complete	810 930
75	372 171	Burner	817 090
76	372 176	Injector - 2.10	815 850
77	372 259	Gasket - injector - 15mm diameter	810 480
78	372 172	Burner - complete with pilot support	817 900
79	372 129	Combustion chamber - bottom burner box	810 880
80	372 357	Pilot burner pipe	813 310
81	390 131	Thermocouple - Honeywell Q309A 2721 - 18" long	811 440
82	386 575	Electrode - honeywell 45900-413-004	800 280
83	386 586	Pilot burner - Honeywell Q385A-1004B	800 270
84	386 573	Pilot burner injector - Honeywell 45003-3508-004	810 570
85	372 175	Electrode wire	801 190
86	372 131	Flap - cover plate for pilot	813 690
87	372 132	Spy hole flap for pilot	811 710
88	372 358	Complete ECO split wire	817 490
89	372 320	Microswitch complete	801 370
90	372 359	Inlet gas pipe to gas valve	810 950
118	372 290	Extension knob - gas valve	811 840
119	372 362	Air filter primary air	813 620

HEAT EXCHANGER FOR CH AND DHW AND PIPES



HEAT EXCHANGER FOR CH AND DHW AND PIPES

Key G.C. No. Description

13	372 196	Gasket - 24mm diameter	810 710
14	372 149	Connection gasket - ½"	810 850
26	372 142	Expansion vessel gasket	810 690
48	386 580	Thermohidrometer - Gruter 943	800 300
64	372 353	Heat exchanger	800 450
68	372 249	Spring strip	811 350
69	372 250	Gasket - 11mm diameter	810 380
91	372 317	Cleaning rod	818 780
92	372 322	Spring	810 290
93	386 815	Overheat cut-off thermostat - Elmwood 2455RT 147B 203S - 100°C	801 240
94	386 577	Limit thermostat 85° - Elmwood 2455T-147B-2035-85R central heating	800 160
95	372 151	Cap for heat exchanger vent pipe	818 550
96	372 150	Vent pipe sphere	818 560
97	372 291	Air vent separator	816 610
98	394 246	Automatic air vent - Caleffi 502N/A - 3/8" with 'O' ring	801 160
99	386 816	Safety valve - Caleffi 514 central heating	800 130
100	372 180	Gasket - 'O' ring - 3087	810 500
101	386 814	Pump - Grundfos UPS 15-50 x 19 9K	800 600
102	372 140	Return pipe central heating	819 060
103	372 153	Pump gasket - 45mm diameter	810 160
104	386 817	Drain pump - Caleffi 505 TG	812 210
105	386 576	Limit thermostat 70°C - Elmwood 2455RT 147B 2035 domestic hot water	801 000
106	372 146	Screw cap - ½" - female	817 320
107	372 324	Expansion vessel gasket - DHW	810 870
108	386 714	Expansion vessel - Zilmet type Z160 - ½" domestic hot water	800 580
109	372 177	Gasket 'O' ring - 2037 - on autovent cap	810 530
110	372 360	Expansion vessel pipe	819 090
111	386 818	Temperature sensor - Philips KTY 81-110	800 310
112	372 177	Gasket 'O' ring - 2037 temperature sensor	810 530
113	372 147	Inlet filter	800 240
114	372 325	Gasket - 18.5 diameter	810 850
115	386 829	Flow limiter - Manesshan NR05/10 GS - 10 LT/min	801 220
116	372 361	Inlet pipe domestic hot water	819 080
117	372 181	Flow switch - Mut-FSP1 - ½"	800 490